

# Midrics Scale Indicator MIS1-UR



## Specifications:

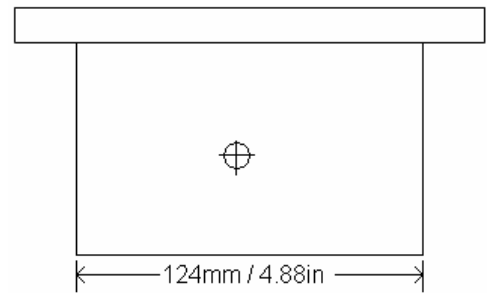
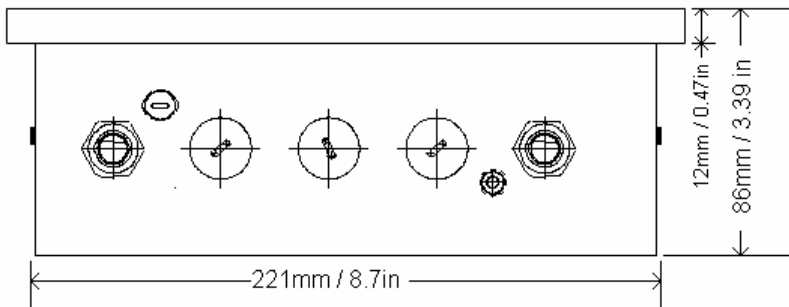
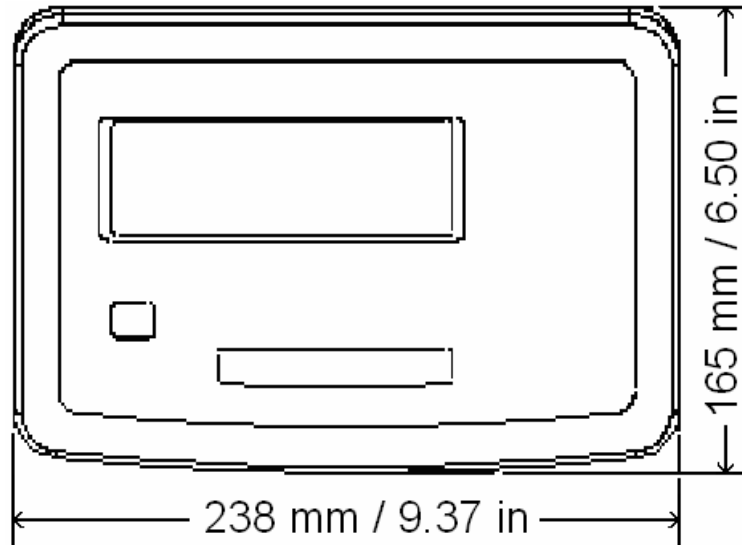
Maximum Readability:	15,000 Digits	Display:	20mm / 0.8in, 14 Segment Backlit LCD
Load Cell Connection:	for 4 or 6 wire load cells	Keypad:	Large positive click action, with keys; On/Standby, Zero, Tare, Function, Print
Supply Voltage:	8.4 V		
Bridge Impedance:	83 to 2,000 ohms	Housing:	AISI 304 Stainless Steel
Measuring Signal:	0 mV to 29.4 mV	Prot. Rating:	IP65
Sensitivity:	4 million digits max. (internal)	Dimensions:	9.4"W x 6.5D" x 3.4"H
		Net Weight:	2.3 kg / 5.1 lb
Power Supply:	Standard Equipment	Oper. Temp.:	+14 to 104 °F / +10 to +40 °C
Power Requirements:	120->240 VAC max. 17W/23VA	Power Cord Length:	3m / ~9ft
	Optional: 24VDC, 12W max.		
	Optional: 24VAC 50-60Hz, max. 12W		

## Features:

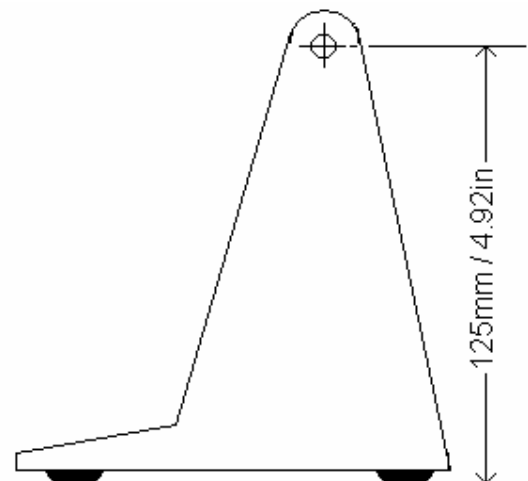
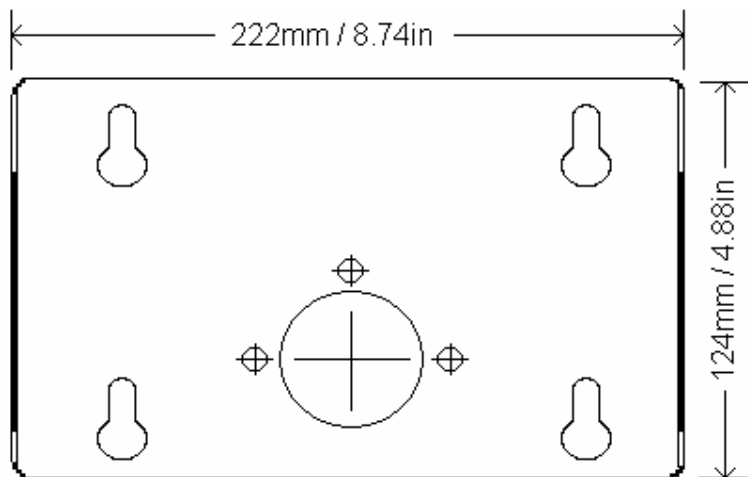
- Integrated A/D converter, for connection of Midrics or any analog platform scale, internal terminal strip
- COM1 Optional Interfaces;
  - RS-232: YDO01M-232
  - RS-232 + Clock: YDO01M-232CLK
- Function Key for;
  - Gross / Net Toggling
  - Two Weight Unit Toggling
  - Display 10X Higher Resolution (5 Seconds)
- UniCOM Optional Interfaces;
  - RS232: YDO01M-232CO
  - RS485: YDO01M-485
  - Digital I/O, 5 in / 5 out Opto Isolated: YDO01M-IO
  - Analog Output, 16bit, 0/4-20mA, 0-10V: YDA01M-20MA

Sartorius Corporation  
 131 Heartland Boulevard  
 Edgewood New York 11717  
 Toll Free: (800) 635-2906  
 ☎ (631) 254-4249  
 Fax (631) 254-4261

www.SartoNews.com	
<b>Related Documents</b>	<b>#</b>
Industrial Catalog	2000
Calibration Catalog	80000
Laboratory Catalog	1000



Includes: Mounting Bracket and Hardware for attachment to Wall or Bench.



Sartorius Corporation  
 131 Heartland Boulevard  
 Edgewood New York 11717  
 Toll Free: (800) 635-2906  
 ☎ (631) 254-4249  
 Fax (631) 254-4261

<a href="http://www.SartoNews.com">www.SartoNews.com</a>	
<b>Related Documents</b>	<b>#</b>
Industrial Catalog	2000
Calibration Catalog	80000
Laboratory Catalog	1000

# Midrics Scale Indicator MIS2-UR



## Specifications:

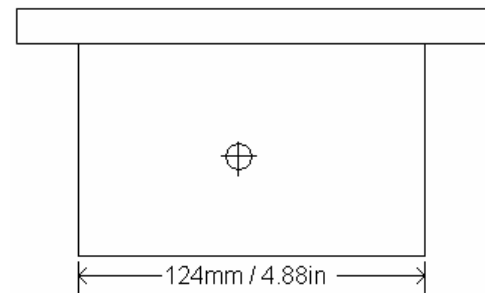
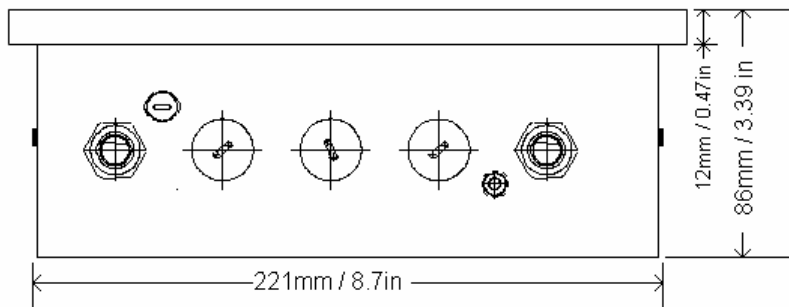
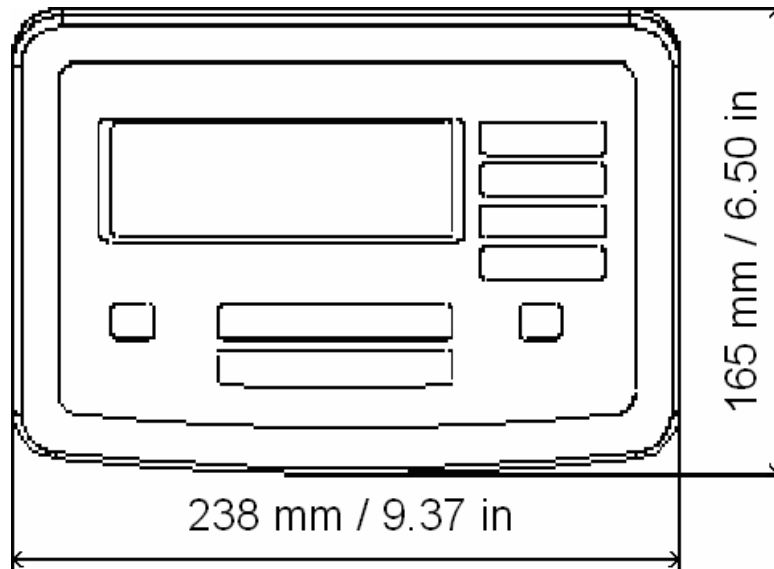
Maximum Readability:	15,000 Digits	Display:	20mm / 0.8in, 14 Segment Backlit LCD
Load Cell Connection:	for 4 or 6 wire load cells	Keypad:	Large positive click action, with keys; On/Standby, Zero, Tare, Function, Print, and Applications
Supply Voltage:	8.4 V	Housing:	AISI 304 Stainless Steel
Bridge Impedance:	83 to 2,000 ohms	Prot. Rating:	IP65
Measuring Signal:	0 mV to 29.4 mV	Dimensions:	9.4"W x 6.5D" x 3.4"H
Sensitivity:	4 million digits max. (internal)	Net Weight:	2.3 kg / 5.1 lb
Power Supply:	Standard Equipment	Oper. Temp.:	+14 to 104 °F / +10 to +40 °C
Power Requirements:	120->240 VAC max. 17W/23VA	Power Cord Length:	3m / ~9ft
	Optional: 24VDC, 12W max.		
	Optional: 24VAC 50-60Hz, max. 12W		

## Features:

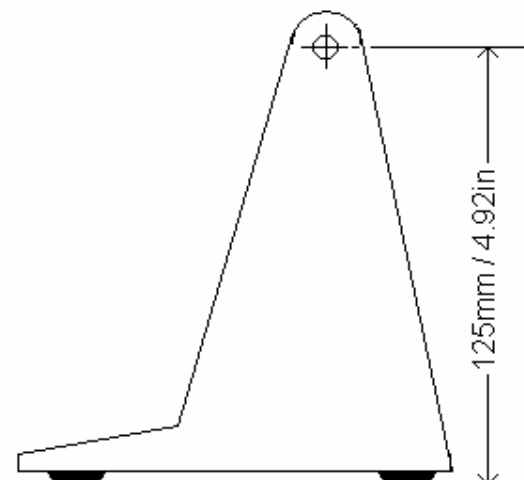
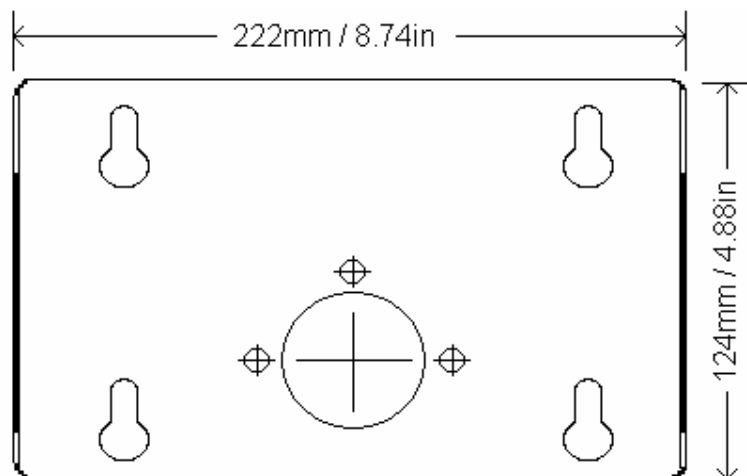
- Integrated A/D converter, for connection of Midrics or any analog platform scale, internal terminal strip
- Function Key for;
  - Gross/Net Toggling
  - Two Weight Unit Toggling
  - Display 10X Higher Resolution (5 Seconds)
- Built In Applications:
  - Counting
  - Checkweighing
  - Classification, Two or Three Classes
  - Totalizing
  - Weighing in Percent
- Number Keys for ID Codes
- Configurable Input for:
  - Bar Code Scanner or External PC Keyboard
- COM1 Optional Interfaces;
  - RS-232: YDO01M-232
  - RS-232 + Clock: YDO01M-232CLK
- UniCOM Optional Interfaces;
  - RS232: YDO01M-232CO
  - RS485: YDO01M-485
  - Digital I/O, 5 in/5 out, Opto Isolated: YDO01M-IO
  - Analog Output, 16bit, 0/4-20mA, 0-10V: YDA01M-20MA

Sartorius Corporation  
 131 Heartland Boulevard  
 Edgewood New York 11717  
 Toll Free: (800) 635-2906  
 ☎ (631) 254-4249  
 Fax (631) 254-4261

<a href="http://www.SartoNews.com">www.SartoNews.com</a>	
<b>Related Documents</b>	<b>#</b>
Industrial Catalog	2000
Calibration Catalog	80000
Laboratory Catalog	1000



Includes: Mounting Bracket and Hardware for attachment to Wall or Bench.



Sartorius Corporation  
 131 Heartland Boulevard  
 Edgewood New York 11717  
 Toll Free: (800) 635-2906  
 ☎ (631) 254-4249  
 Fax (631) 254-4261

<a href="http://www.SartoNews.com">www.SartoNews.com</a>	
<b>Related Documents</b>	<b>#</b>
Industrial Catalog	2000
Calibration Catalog	80000
Laboratory Catalog	1000